

Air Cooled Chillers & Heat Pumps

FullPOWER EVO

TCAVB 2335÷21505

TCAVT-TCAVQ 2345÷21565



FullPOWER EVO

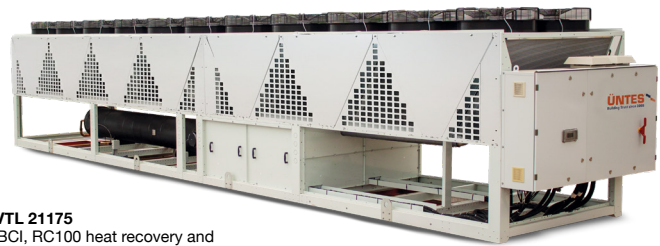
TCAVB 2335÷21505

TCAVT-TCAVQ 2345÷21565



Cooling capacity: 336,6÷1564,1 kW

- High energy efficiency chillers in R513A and R134a
- Extended operating limits
- Linear capacity control (25-100%)
- Wide range of accessories
- Integrated MASTER/SLAVE control



TCAVTL 21175
with BCI, RC100 heat recovery and
RPB coil protection nets accessories



Construction features

- Compressor: high energy efficiency semi-hermetic screw compressor with linear capacity control (25-100%). Star-delta limited start-up and complete with integral protection, casing heater and refrigerant gas outlet piping shut-off valve.
- Water side heat exchanger: dry expansion shell and tube exchanger with counterflow heat exchange, complete with closed cell polyurethane foam rubber insulation, water flow differential pressure switch and Victaulic fittings.
- Air side heat exchanger: with micro-channels.
- Fan: external rotor axial type electric fans equipped with internal thermal protection, accident protection grilles and proportional electronic device for continuous fan rotation speed adjustment.
- Control: microprocessor electronic control.
- Structure: made of galvanised and painted steel plate with polyester powder coating.
- The unit is also complete with:
 - display of cooling circuit high/low pressure;
 - electronic expansion valve;
 - clock board;
 - Master/Slave control up to 4 units in parallel;
 - control of Variable Primary Flow (VPF_R).

Versions

- B - Standard efficiency version (TCAVBL-TCAVBZ).
- T - High efficiency version with oversized condensing section (TCAVTL-TCAVTZ).
- Q - Super-silenced version complete with soundproof compressor technical compartment, reduced speed fans and oversized condensing section (TCAVQL-TCAVQZ).

Models

- TCAVBL: standard efficiency unit designed for cooling only with R513A gas.
- TCAVTL: high efficiency unit designed for cooling only with R513A gas.
- TCAVQL: super silenced unit designed for cooling only with R513A gas.
- TCAVBZ: standard efficiency unit designed for cooling only with R134a gas.
- TCAVTZ: high efficiency unit designed for cooling only with R134a gas.
- TCAVQZ: super silenced unit designed for cooling only with R134a gas.

Factory fitted accessories

- PUMP with single or double electric pump, one of which automatic in standby. The electric pumps are available in the low or high head versions.
- Inverter pump control for unit start-up.
- Desuperheater.
- 100% heat recovery unit.
- Condensing control with fans with EC motor
- Condensing control with over-pressure fans (B-T versions only)
- Power factor correction capacitors ($\cos\phi > 0.94$).
- Compressor circuit breaker switches.
- Electro-mechanical flow switch.
- Oil level sensor.
- Forced limit of power consumption.
- Forced noise limit.
- Energy parameter measuring device.
- Soft starter.
- Soundproofed compressor box.
- Cooling circuit intake valves.
- Refrigerant leak detector.
- Cooling circuit high and low pressure gauges.
- Double safety valves.
- Coil protection nets or buffer panels
- Microchannel coils with E-coating treatment, copper/aluminium, copper/copper, pre-painted copper/aluminium
- Control of min/max power supply voltage.
- Digital input for double set-point.
- 4-20 mA analogue signal for shifting set-point.
- Evaporator antifreeze heater, electrical panel, electric pumps and heat exchangers for heat recovery if applicable.
- Low temperature water production.
- Interfaces for serial communication with other devices.
- Colour touch user keypad (fitted on the machine or remotely) with 7" display
- Spring anti-vibration mounts
- Protective packaging

Separately supplied accessories

- Remote keypad with display.
- Thermostat with display.
- Üntes supervisors for unit monitoring and remote management.
- Üntes sequencer for integrated management of multiple chillers.

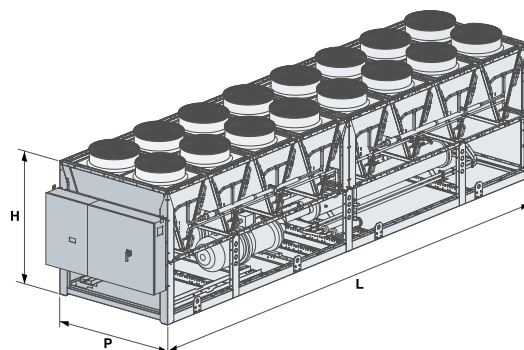
TCAVBL MODEL		2335	2365	2405	2465	2515	2565	2645	2705	2755
①	Nominal cooling capacity	kW	333,6	370,6	406,5	464,5	520,4	565,4	650,4	758,4
①	E.E.R.		3	2,91	2,85	3	2,89	2,84	2,95	2,87
①	Absorbed power	kW	111,2	127,4	142,6	154,8	180,1	199,1	220,5	264,3
TCAVBL MODEL		2335	2365	2405	2465	2515	2565	2645	2705	2755
②	Sound pressure	dB(A)	65	65	66	66	66	66	66,5	67,5
③	Sound power	dB(A)	97	97	98	98	98	98	99	100
	Screw compressors	n.				2				
	Circuits	n.	2	2	2	2	2	2	2	2
	Electrical supply	V-ph-Hz	400-3-50	400-3-50	400-3-50	400-3-50	400-3-50	400-3-50	400-3-50	400-3-50
DIMENSIONS AND WEIGHTS		2335	2365	2405	2465	2515	2565	2645	2705	2755
	L - Width	mm	3740	3740	3740	4840	4840	4840	5990	5990
	H - Height	mm	2480	2480	2480	2480	2480	2480	2480	2480
	P - Depth	mm	2260	2260	2260	2260	2260	2260	2260	2260
④	TCAVBL weight	kg	2760	2770	2790	3220	3780	3990	4330	4390
TCAVTL-TCAVQL MODEL		2345	2385	2425	2475	2525	2585	2655	2715	2765
①	Nominal cooling capacity	kW	343,6	383,6	427,6	478,5	532,4	583,4	664,4	772,3
①	Nominal cooling capacity	kW	333,7	372,6	410,6	474,5	511,5	560,4	638,5	749,3
①	E.E.R.		3,24	3,21	3,19	3,24	3,2	3,19	3,27	3,23
①	E.E.R.		3,15	3,1	3,02	3,11	3,03	2,94	3,03	2,93
①	Absorbed power	kW	106	119,5	134	147,7	166,4	182,9	203,2	222,7
①	Absorbed power	kW	105,9	120,2	136	152,6	168,8	190,6	210,7	238,4
TCAVTL-TCAVQL MODEL		2345	2385	2425	2475	2525	2585	2655	2715	2765
②	TCAVTL Sound pressure	dB(A)	65,5	65,5	65,5	65,5	65,5	66,5	66,5	67
②	TCAVQL Sound pressure	dB(A)	56,5	56,5	56,5	56,5	56,5	57,5	57,5	58
③	TCAVTL Sound power	dB(A)	98	98	98	98	98	99	99	100
③	TCAVQL Sound power	dB(A)	89	89	89	89	89	90	90	91
	Screw compressors	n.				2				
	Circuits	n.	2	2	2	2	2	2	2	2
	Electrical supply	V-ph-Hz	400-3-50	400-3-50	400-3-50	400-3-50	400-3-50	400-3-50	400-3-50	400-3-50
DIMENSIONS AND WEIGHTS		2345	2385	2425	2475	2525	2585	2655	2715	2765
	L - Width	mm	4840	4840	4840	5990	5990	5990	7150	7150
	H - Height	mm	2480	2480	2480	2480	2480	2480	2480	2480
	P - Depth	mm	2260	2260	2260	2260	2260	2260	2260	2260
④	TCAVTL weight	kg	3120	3125	3150	3515	4270	4300	4810	4860
④	TCAVQL weight	kg	3395	3400	3425	3790	4650	4680	5210	5260

Data at the following conditions:

- ① Air: 35°C - Water: 12/7°C.
 - ② In open field (Q = 2) at 10 m from the unit.
 - ③ Total sound power level in dB(A) based on measurements carried out in accordance with regulation UNI EN-ISO 9614.
 - ④ Weight referred to the unit without load and not accessorised.
- TCAVQL super-silenced versions.
Performance according to EN 14511.

SEASONAL ENERGY PERFORMANCE		2335	2365	2405	2465	2515	2565	2645	2705	2755
TCAVBL MODEL SEASONAL PERFORMANCE IN COOLING MODE		2335	2365	2405	2465	2515	2565	2645	2705	2755
①	P _{design,c} (EN 14825)	kW	333,6	370,6	406,5	464,5	520,4	565,4	650,4	758,4
①	SEER (EN 14825)		4,62	4,59	4,57	4,64	4,58	4,55	4,62	4,57
②	η _{s,c}	%	182	181	180	183	180	179	182	180
TCAVTL MODEL SEASONAL PERFORMANCE IN COOLING MODE		2345	2385	2425	2475	2525	2585	2655	2715	2765
①	P _{design,c} (EN 14825)	kW	343,6	383,6	427,6	478,5	532,4	583,4	664,4	772,3
①	SEER (EN 14825)		4,8	4,72	4,71	4,77	4,71	4,72	4,77	4,76
②	η _{s,c}	%	189	186	185	188	185	186	188	187
TCAVQL MODEL SEASONAL PERFORMANCE IN COOLING MODE		2345	2385	2425	2475	2525	2585	2655	2715	2765
①	P _{design,c} (EN 14825)	kW	333,7	372,6	410,6	474,5	511,5	560,4	638,5	749,3
①	SEER (EN 14825)		4,73	4,63	4,61	4,72	4,68	4,61	4,69	4,66
②	η _{s,c}	%	186	182	181	186	184	181	185	184

- ① Low temperature application (7°C)
- ② Seasonal energy efficiency: low temperature cooling (EU Regulation 2016/2281)



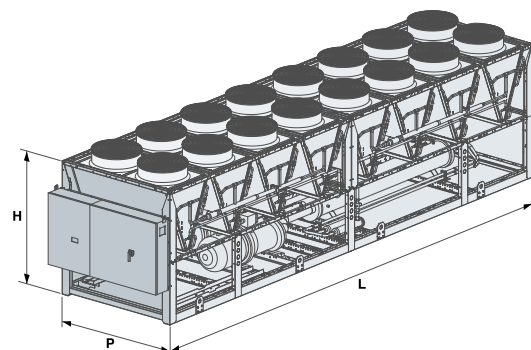
TCAVBL MODEL		2805	2865	2935	2995	21075	21115	21275	21405	21505	
①	Nominal cooling capacity	kW	799,4	865,3	944,3	994,2	1081,3	1121,2	1287,1	1399,1	1503,2
①	E.E.R.		2,96	2,88	2,97	2,91	3,03	2,93	3,04	2,94	2,92
①	Absorbed power	kW	270,1	300,5	317,9	341,6	356,9	382,7	423,4	475,9	514,8
TCAVBL MODEL		2805	2865	2935	2995	21075	21115	21275	21405	21505	
②	Sound pressure	dB(A)	67,5	68	68	68	69	69	69	70	71
③	Sound power	dB(A)	100	101	101	101	102	102	102	103	104
	Screw compressors	n.				2					
	Circuits	n.	2	2	2	2	2	2	2	2	2
	Electrical supply	V-ph-Hz	400-3-50	400-3-50	400-3-50	400-3-50	400-3-50	400-3-50	400-3-50	400-3-50	400-3-50
DIMENSIONS AND WEIGHTS		2805	2865	2935	2995	21075	21115	21275	21405	21505	
	L - Width	mm	7150	7150	8250	8250	9350	9350	10450	11550	11550
	H - Height	mm	2480	2480	2480	2480	2480	2480	2480	2480	2480
	P - Depth	mm	2260	2260	2260	2260	2260	2260	2260	2260	2260
④	TCAVBL weight	kg	5400	5820	6210	6270	6780	6800	7180	8560	9010
TCAVTL-TCAVQL MODEL		2815	2885	2955	21025	21105	21175	21335	21455	21565	
①	Nominal cooling capacity	kW	820,4	887,3	964,3	1029,3	1116,2	1176,2	1327,1	1443,2	1557,1
①	Nominal cooling capacity	kW	788,4	847,3	926,4	998,3	1072,3	1123,2	1281,1	1400,3	1501,2
①	E.E.R.		3,26	3,21	3,29	3,22	3,25	3,17	3,18	3,12	3,08
①	E.E.R.		3,01	2,92	3,02	2,95	3	2,89	2,91	2,92	2,86
①	Absorbed power	kW	251,7	276,4	293,1	319,7	343,4	371	417,3	462,6	505,6
①	Absorbed power	kW	261,9	290,2	306,8	338,4	357,4	388,7	440,2	479,6	524,9
TCAVTL-TCAVQL MODEL		2815	2885	2955	21025	21105	21175	21335	21455	21565	
②	TCAVTL Sound pressure	dB(A)	67	68	68	68	69	69	69	70	71
②	TCAVQL Sound pressure	dB(A)	59	60	60	60	60	61	61	62	63
③	TCAVTL Sound power	dB(A)	100	101	101	101	102	102	102	103	104
③	TCAVQL Sound power	dB(A)	92	93	93	93	93	94	94	95	96
	Screw compressors	n.				2					
	Circuits	n.	2	2	2	2	2	2	2	2	2
	Electrical supply	V-ph-Hz	400-3-50	400-3-50	400-3-50	400-3-50	400-3-50	400-3-50	400-3-50	400-3-50	400-3-50
DIMENSIONS AND WEIGHTS		2815	2885	2955	21025	21105	21175	21335	21455	21565	
	L - Width	mm	8250	8250	9350	9350	10450	10450	11550	12710	12710
	H - Height	mm	2480	2480	2480	2480	2480	2480	2480	2480	2480
	P - Depth	mm	2260	2260	2260	2260	2260	2260	2260	2260	2260
④	TCAVTL weight	kg	5705	6135	6680	6745	7130	7150	7555	9390	9850
④	TCAVQL weight	kg	6105	6535	7080	7145	7530	7550	7955	9810	10270

Data at the following conditions:

- ① Air: 35°C - Water: 12/7°C.
 - ② In open field (Q = 2) at 10 m from the unit.
 - ③ Total sound power level in dB(A) based on measurements carried out in accordance with regulation UNI EN-ISO 9614.
 - ④ Weight referred to the unit without load and not accessorised.
 - TCAVQL super-silenced versions.
- Performance according to EN 14511.

SEASONAL ENERGY PERFORMANCE		2805	2865	2935	2995	21075	21115	21275	21405	21505	
TCAVBL MODEL SEASONAL PERFORMANCE IN COOLING MODE		2805	2865	2935	2995	21075	21115	21275	21405	21505	
①	P _{design,c} (EN 14825)	kW	799,4	865,3	944,3	994,2	1081,3	1121,2	1287,1	1399,1	1503,2
①	SEER (EN 14825)		4,58	4,57	4,6	4,58	4,59	4,59	4,62	4,56	4,58
②	η _{s,c}	%	180	180	181	180	181	181	182	179	180
TCAVTL MODEL SEASONAL PERFORMANCE IN COOLING MODE		2815	2885	2955	21025	21105	21175	21335	21455	21565	
①	P _{design,c} (EN 14825)	kW	820,4	887,3	964,3	1029,3	1116,2	1176,2	1327,1	1443,2	1557,1
①	SEER (EN 14825)		4,74	4,7	4,73	4,72	4,77	4,71	4,74	4,74	4,72
②	η _{s,c}	%	186	185	186	186	188	185	186	187	186
TCAVQL MODEL SEASONAL PERFORMANCE IN COOLING MODE		2815	2885	2955	21025	21105	21175	21335	21455	21565	
①	P _{design,c} (EN 14825)	kW	788,4	847,3	926,4	998,3	1072,3	1123,2	1281,1	1400,3	1501,2
①	SEER (EN 14825)		4,63	4,63	4,64	4,61	4,67	4,63	4,63	4,68	4,63
②	η _{s,c}	%	182	182	182	181	184	182	182	184	182

- ① Low temperature application (7°C)
- ② Seasonal energy efficiency: low temperature cooling (EU Regulation 2016/2281)



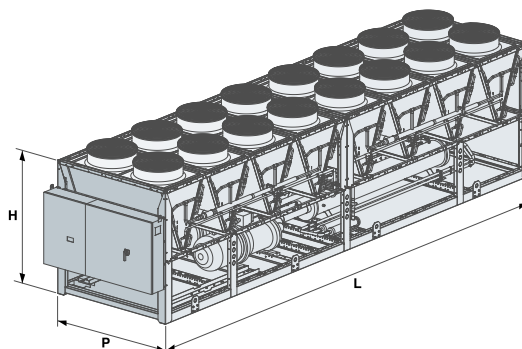
TCAVBZ MODEL		2335	2365	2405	2465	2515	2565	2645	2705	2755	
①	Nominal cooling capacity	kW	334,6	371,6	408,5	466,5	522,3	567,4	653,4	711,4	761,4
①	E.E.R.		3,09	2,98	2,93	3,07	2,97	2,9	3,03	2,97	2,95
①	Absorbed power	kW	108,3	124,7	139,4	152	175,9	195,7	215,6	239,5	258,1
TCAVBZ MODEL		2335	2365	2405	2465	2515	2565	2645	2705	2755	
②	Sound pressure	dB(A)	65	65	66	66	66	66	66,5	66,5	67,5
③	Sound power	dB(A)	97	97	98	98	98	98	99	99	100
	Screw compressors	n.				2					
	Circuits	n.	2	2	2	2	2	2	2	2	2
	Electrical supply	V-ph-Hz	400-3-50	400-3-50	400-3-50	400-3-50	400-3-50	400-3-50	400-3-50	400-3-50	400-3-50
DIMENSIONS AND WEIGHTS		2335	2365	2405	2465	2515	2565	2645	2705	2755	
	L - Width	mm	3740	3740	3740	4840	4840	4840	5990	5990	5990
	H - Height	mm	2480	2480	2480	2480	2480	2480	2480	2480	2480
	P - Depth	mm	2260	2260	2260	2260	2260	2260	2260	2260	2260
④	TCAVBZ weight	kg	2760	2770	2790	3220	3780	3990	4330	4360	4390
TCAVTZ-TCAVQZ MODEL		2345	2385	2425	2475	2525	2585	2655	2715	2765	
①	Nominal cooling capacity	kW	344,6	384,6	429,6	480,5	534,4	585,4	667,4	722,4	775,3
①	Nominal cooling capacity	kW	334,7	373,6	412,6	476,5	513,5	562,4	641,5	701,4	752,3
①	E.E.R.		3,34	3,3	3,27	3,32	3,3	3,28	3,35	3,32	3,3
①	E.E.R.		3,25	3,18	3,1	3,18	3,11	3,02	3,11	3	2,96
①	Absorbed power	kW	103,2	116,5	131,4	144,7	161,9	178,5	199,2	217,6	234,9
①	Absorbed power	kW	103	117,5	133,1	149,8	165,1	186,2	206,3	233,8	254,2
TCAVTZ-TCAVQZ MODEL		2345	2385	2425	2475	2525	2585	2655	2715	2765	
②	TCAVTZ Sound pressure	dB(A)	65,5	65,5	65,5	65,5	65,5	66,5	66,5	66,5	67
②	TCAVQZ Sound pressure	dB(A)	56,5	56,5	56,5	56,5	56,5	57,5	57,5	57,5	58
③	TCAVTZ Sound power	dB(A)	98	98	98	98	98	99	99	99	100
③	TCAVQZ Sound power	dB(A)	89	89	89	89	89	90	90	90	91
	Screw compressors	n.				2					
	Circuits	n.	2	2	2	2	2	2	2	2	2
	Electrical supply	V-ph-Hz	400-3-50	400-3-50	400-3-50	400-3-50	400-3-50	400-3-50	400-3-50	400-3-50	400-3-50
DIMENSIONS AND WEIGHTS		2345	2385	2425	2475	2525	2585	2655	2715	2765	
	L - Width	mm	4840	4840	4840	5990	5990	5990	7150	7150	7150
	H - Height	mm	2480	2480	2480	2480	2480	2480	2480	2480	2480
	P - Depth	mm	2260	2260	2260	2260	2260	2260	2260	2260	2260
④	TCAVTZ weight	kg	3120	3125	3150	3515	4270	4300	4810	4840	4860
④	TCAVQZ weight	kg	3395	3400	3425	3790	4650	4680	5210	5240	5260

Data at the following conditions:

- ① Air: 35°C - Water: 12/7°C.
 - ② In open field (Q = 2) at 10 m from the unit.
 - ③ Total sound power level in dB(A) based on measurements carried out in accordance with regulation UNI EN-ISO 9614.
 - ④ Weight referred to the unit without load and not accessorised.
- TCAVQZ super-silenced versions.
Performance according to EN 14511.

SEASONAL ENERGY PERFORMANCE											
TCAVBZ MODEL SEASONAL PERFORMANCE IN COOLING MODE		2335	2365	2405	2465	2515	2565	2645	2705	2755	
①	P _{designc} (EN 14825)	kW	334,6	371,6	408,5	466,5	522,3	567,4	653,4	711,4	761,4
①	SEER (EN 14825)		4,68	4,63	4,6	4,67	4,62	4,58	4,66	4,62	4,61
②	η _{s,c}	%	184	182	181	184	182	180	183	182	181
TCAVTZ MODEL SEASONAL PERFORMANCE IN COOLING MODE		2345	2385	2425	2475	2525	2585	2655	2715	2765	
①	P _{designc} (EN 14825)	kW	344,6	384,6	429,6	480,5	534,4	585,4	667,4	722,4	775,3
①	SEER (EN 14825)		4,83	4,77	4,76	4,82	4,76	4,76	4,82	4,81	4,8
②	η _{s,c}	%	190	188	187	190	187	187	190	189	189
TCAVQZ MODEL SEASONAL PERFORMANCE IN COOLING MODE		2345	2385	2425	2475	2525	2585	2655	2715	2765	
①	P _{designc} (EN 14825)	kW	334,7	373,6	412,6	476,5	513,5	562,4	641,5	701,4	752,3
①	SEER (EN 14825)		4,78	4,68	4,65	4,75	4,71	4,66	4,73	4,72	4,69
②	η _{s,c}	%	188	184	183	187	186	183	186	186	185

- ① Low temperature application (7°C)
- ② Seasonal energy efficiency: low temperature cooling (EU Regulation 2016/2281)



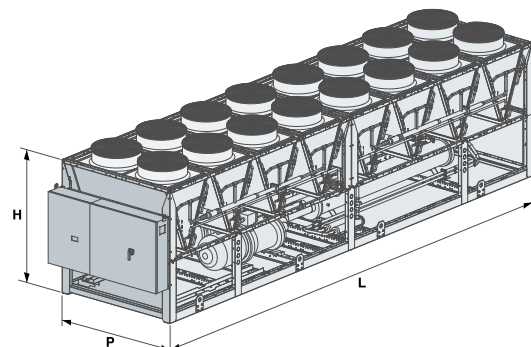
TCAVBZ MODEL		2805	2865	2935	2995	21075	21115	21275	21405	21505	
①	Nominal cooling capacity	kW	803,4	869,3	948,3	999,2	1086,3	1126,2	1293,1	1406,1	1507,2
①	E.E.R.		3,04	2,96	3,05	2,99	3,11	3	3,12	3,02	2,99
①	Absorbed power	kW	264,3	293,7	310,9	334,2	349,3	375,4	414,5	465,6	504,1
TCAVBZ MODEL		2805	2865	2935	2995	21075	21115	21275	21405	21505	
②	Sound pressure	dB(A)	67,5	68	68	68	69	69	69	70	71
③	Sound power	dB(A)	100	101	101	101	102	102	102	103	104
	Screw compressors	n.				2					
	Circuits	n.	2	2	2	2	2	2	2	2	2
	Electrical supply	V-ph-Hz	400-3-50	400-3-50	400-3-50	400-3-50	400-3-50	400-3-50	400-3-50	400-3-50	400-3-50
DIMENSIONS AND WEIGHTS		2805	2865	2935	2995	21075	21115	21275	21405	21505	
	L - Width	mm	7150	7150	8250	8250	9350	9350	10450	11550	11550
	H - Height	mm	2480	2480	2480	2480	2480	2480	2480	2480	2480
	P - Depth	mm	2260	2260	2260	2260	2260	2260	2260	2260	2260
④	TCAVBZ weight	kg	5400	5820	6210	6270	6780	6800	7180	8560	9010
TCAVTZ-TCAVQZ MODEL		2815	2885	2955	21025	21105	21175	21335	21455	21565	
①	Nominal cooling capacity	kW	824,4	891,3	968,3	1034,3	1121,2	1181,2	1333,1	1450,2	1564,1
①	Nominal cooling capacity	kW	791,4	851,3	930,4	1003,3	1077,3	1128,2	1287,1	1407,3	1502,2
①	E.E.R.		3,34	3,3	3,37	3,31	3,34	3,26	3,27	3,19	3,16
①	E.E.R.		3,09	3	3,09	3,03	3,07	2,96	2,98	3	2,92
①	Absorbed power	kW	246,8	270,1	287,3	312,5	335,7	362,3	407,7	454,6	495
①	Absorbed power	kW	256,1	283,8	301,1	331,1	350,9	381,1	431,9	469,1	514,5
②	TCAVTZ Sound pressure	dB(A)	67	68	68	68	69	69	69	70	71
②	TCAVQZ Sound pressure	dB(A)	59	60	60	60	60	61	61	62	63
③	TCAVTZ Sound power	dB(A)	100	101	101	101	102	102	102	103	104
③	TCAVQZ Sound power	dB(A)	92	93	93	93	93	94	94	95	96
	Screw compressors	n.				2					
	Circuits	n.	2	2	2	2	2	2	2	2	2
	Electrical supply	V-ph-Hz	400-3-50	400-3-50	400-3-50	400-3-50	400-3-50	400-3-50	400-3-50	400-3-50	400-3-50
DIMENSIONS AND WEIGHTS		2815	2885	2955	21025	21105	21175	21335	21455	21565	
	L - Width	mm	8250	8250	9350	9350	10450	10450	11550	12710	12710
	H - Height	mm	2480	2480	2480	2480	2480	2480	2480	2480	2480
	P - Depth	mm	2260	2260	2260	2260	2260	2260	2260	2260	2260
④	TCAVTZ weight	kg	5705	6135	6680	6745	7130	7150	7555	9390	9850
④	TCAVQZ weight	kg	6105	6535	7080	7145	7530	7550	7955	9810	10270

Data at the following conditions:

- ① Air: 35°C - Water: 12/7°C.
 - ② In open field (Q = 2) at 10 m from the unit.
 - ③ Total sound power level in dB(A) based on measurements carried out in accordance with regulation UNI EN-ISO 9614.
 - ④ Weight referred to the unit without load and not accessorised.
 - TCAVQZ super-silenced versions.
- Performance according to EN 14511.

SEASONAL ENERGY PERFORMANCE		2805	2865	2935	2995	21075	21115	21275	21405	21505	
TCAVBZ MODEL SEASONAL PERFORMANCE IN COOLING MODE		2805	2865	2935	2995	21075	21115	21275	21405	21505	
①	P _{design,c} (EN 14825)	kW	803,4	869,3	948,3	999,2	1086,3	1126,2	1293,1	1406,1	1507,2
①	SEER (EN 14825)		4,63	4,6	4,64	4,61	4,63	4,66	4,6	4,6	
②	η _{s,c}	%	182	181	183	181	182	182	183	181	181
TCAVTZ MODEL SEASONAL PERFORMANCE IN COOLING MODE		2815	2885	2955	21025	21105	21175	21335	21455	21565	
①	P _{design,c} (EN 14825)	kW	824,4	891,3	968,3	1034,3	1121,2	1181,2	1333,1	1450,2	1564,1
①	SEER (EN 14825)		4,78	4,74	4,77	4,77	4,82	4,75	4,78	4,79	4,76
②	η _{s,c}	%	188	187	188	188	190	187	188	189	188
TCAVQZ MODEL SEASONAL PERFORMANCE IN COOLING MODE		2815	2885	2955	21025	21105	21175	21335	21455	21565	
①	P _{design,c} (EN 14825)	kW	791,4	851,3	930,4	1003,3	1077,3	1128,2	1287,1	1407,3	1502,2
①	SEER (EN 14825)		4,67	4,66	4,66	4,64	4,69	4,66	4,66	4,71	4,66
②	η _{s,c}	%	184	183	183	183	185	183	183	186	183

- ① Low temperature application (7°C)
- ② Seasonal energy efficiency: low temperature cooling (EU Regulation 2016/2281)



ÜNTES®
Building Trust since 1968

Export Sales Office

Address: 53. Cadde 1450. Sokak Ulusoy
Plaza No: 9/50 Cukurambar, Ankara, Turkey
Email: export@untes.com.tr
T+90 (312) 287 91 00 F+90 (312) 284 91 00

Manufacturing Plant-1

Air Handling & Ventilations Systems,
Fan Coil Systems
Packaged Air Conditioning Systems
Address: Istanbul Yolu 37.km
Kahramankazan, Ankara, Turkey

Manufacturing Plant-2

Water Chiller and Heat Pumps
Address: Istanbul Yolu 24.km Saraykoy, Ankara

www.untes.com



untesklima